



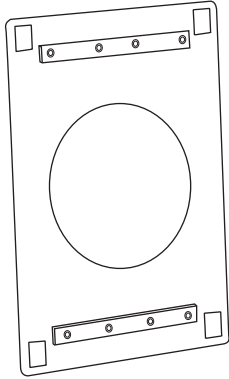
Mission Rubber Company LLC

1660 Leeson Lane
 Corona, CA 92879
 (800) 854-9991 • Fax (800) 637-4601
 missionrubber.com

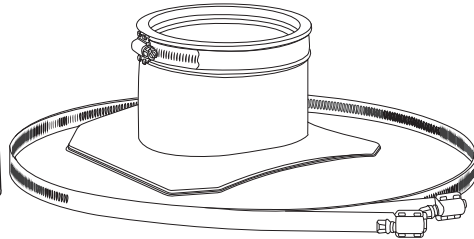
MISSION
 RUBBER COMPANY

Designed to make lateral service connections

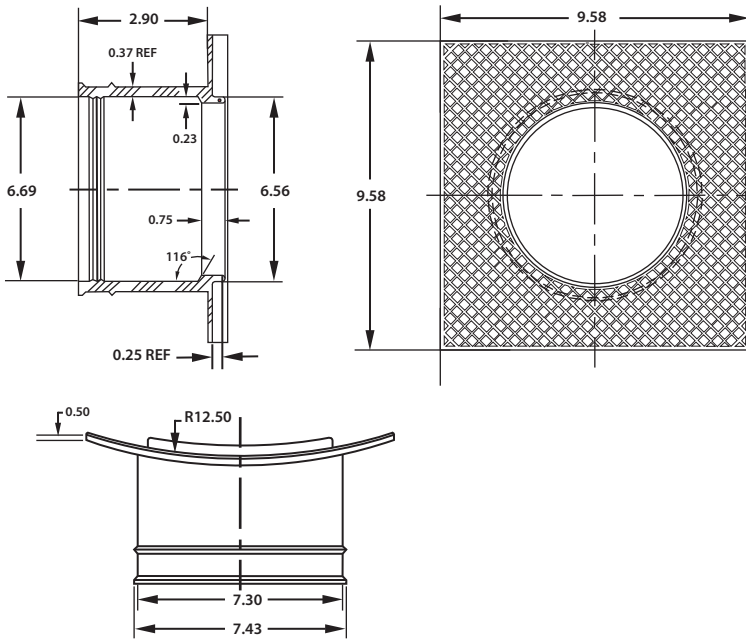
MEETS:
 ASTM C 1173
 ASTM C 425
 ASTM C 923M



AVAILABLE IN
 SIZES 4" & 6"



6" GASKET DETAILS



MISSION REFERENCE	SIZE	LATERAL PIPE	SEWER MAIN O.D.	LATERAL ENTRY	CORE I.D.
TF-400	4"	4" Plastic	6.27" - 15.75"	90° ± 15°	4.60" - 4.90"
TF-600	6"	6" Plastic	8.16" - 21.25"	90° ± 15°	6.60" - 6.90"

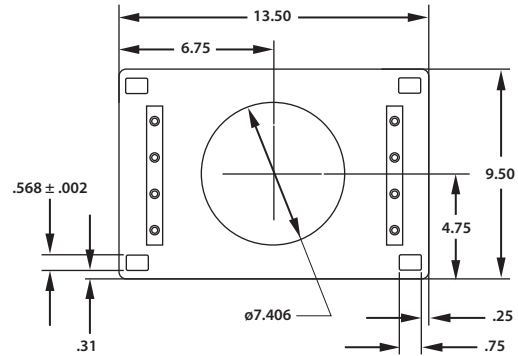
T-Flex® Sewer Saddles - 6" Submittal

Performance Saddles for Lateral Connection to Plastic Pipe

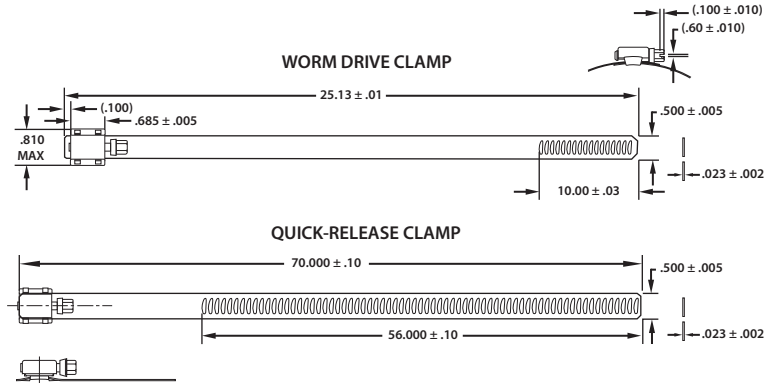
PROJECT _____
 ENGINEER _____
 CONTRACTOR _____

MATERIALS	
Band	Series 300 ASTM stainless steel
Screw Housing	Series 304 ASTM stainless steel
Screw Saddle	Series 304 ASTM stainless steel
Screw	Series 305 ASTM stainless steel
Apron	Series 300 ASTM stainless steel
Gasket	This gasket is fabricated from a compound with high-quality elastomeric properties to meet physical testing.

6" APRON DETAILS



6" CLAMP DETAILS



TEST	GASKET PHYSICAL TESTS (ASTM C425)	ASTM C425
Tensile Strength	1000 PSI minimum	D412
Elongation	250% minimum	D412
Durometer (Shore A)	55 minimum 70 maximum	D2240
Accelerated Aging	85% of original tensile strength 85% of original elongation All determined after oven aging at 70°C for 7 days	D573
Compression Set	20% maximum of original deflection	D395
Ozone Cracking	No visible cracking at 2X magnification of the gasket after 24 hours exposure in 0.5 PPHM ozone concentrations at 40°C. Testing and inspection to be on gasket which is loop-mounted to give approximately 20% elongation of outer surface.	D1149
Water Absorption	5% maximum by weight after 7 days at 70°F	D471

Mission's T-Flex® Sewer Saddles are designed to make lateral service connections; joining any sewer main pipe material to a plastic lateral pipe. Elastomeric construction allows a single size to securely fit most sewer mains. Saddle consists of one (1) 300 series stainless steel worm drive clamp over an EPDM rubber gasket, along with two (2) 300 series quick-release stainless steel clamps, over a 300 series austenitic stainless steel apron. Saddles are available in sizes 4" and 6".

Leak-Proof Seal - 300 series quick-release stainless steel clamps provide sufficient band load to ensure a water-tight, leak-proof seal that is resistant to both infiltration and exfiltration. Sealing "O" Ring is installed under the sealing clamp to prevent pipe slippage and create a more positive seal.

Corrosion Resistant - 300 series stainless steel components provide highly effective corrosion resistance in a variety of environments; such as marine applications, poorly aerated or moist soils, contaminated ground conditions (particularly industrial fill sites) and where the ground water contains chloride, sulfates or bicarbonates.

Withstands Tension and Compression - EPDM rubbers permit a substantial degree of distortion without change in basic physical resistance, unlike other manufacturers' thermoplastic gasket materials. Molded rubber gasket is strong, durable and resilient to ultraviolet rays, ozone, fungus growth, natural erosive properties of soil and normal sewer gases. More pliable and easier to install in cold weather applications than an elastomeric PVC gasket.

Internal "Pipe Stop" - Prevents lateral pipe intrusion into the sewer main.

Time and Labor Saving - Minimal excavation required.

Absorbs Vibration - EPDM rubber gasket with 300 series austenitic stainless steel apron provides a superior flexible vibration absorbing joint, which accommodates ground movement and prevents shear.

Ease of Installation - Flanged lip on the EPDM gasket self-centers saddle into the cored sewer main during installation. 300 series stainless steel quick-release clamps install rapidly.