



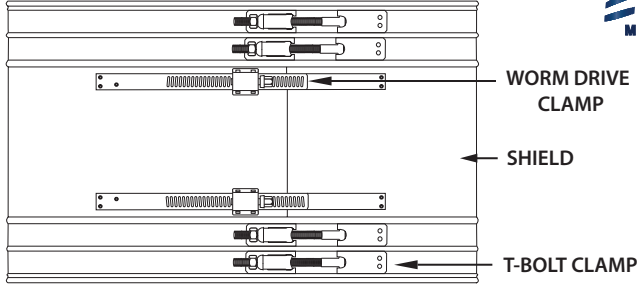
Mission Rubber Company LLC

1660 Leeson Lane
 Corona, CA 92879
 (800) 854-9991 • Fax (800) 637-4601
 missionrubber.com

*Designed to connect
 ribbed/corrugated
 profile pipe*

MISSION
 RUBBER COMPANY

MEETS:
 ASTM C 425
 ASTM C 1173
 ASTM A240/A240M



SIZE 18" - 2 WORM DRIVE CLAMPS & 3 TAKE-UP T-BOLT CLAMPS
 SIZES 24" THROUGH 60" - 2 WORM DRIVE CLAMPS & 4 TAKE-UP T-BOLT CLAMPS

Flex-Seal® Corrugated Coupling - Submittal MR72 Series - 18" to 60" sizes

Performance Couplings for Corrugated Pipe

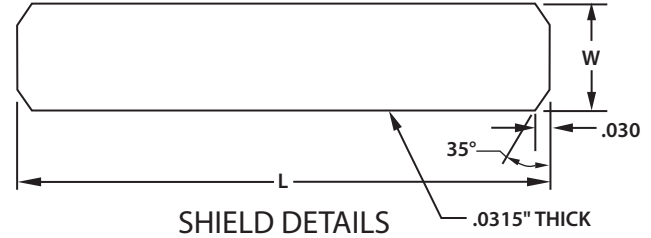
PROJECT _____

ENGINEER _____

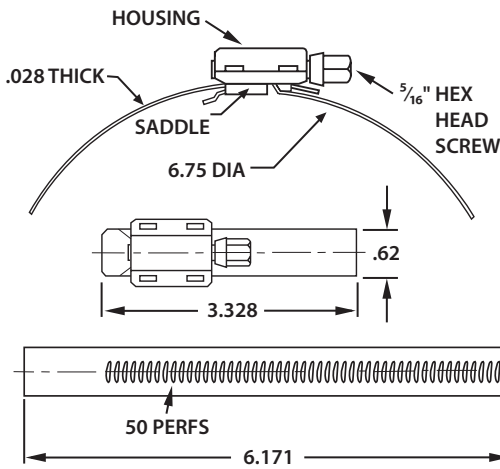
CONTRACTOR _____

MATERIALS

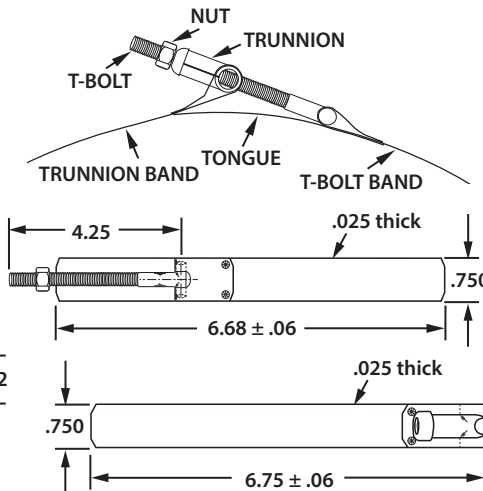
T-Bolt Clamp Bolt: 305 series ss / Nut: 305 series ss / Band: 316 series ss
 Worm Drive Clamp Screw: 305 series ss / Housing: 304 series ss / Saddle: 304 series ss / Band: 304 series ss
 Shield 301 series ASTM stainless steel .0315" thick on 18" - 60"
 Gasket This gasket is fabricated from a compound with high-quality elastomeric properties to meet physical testing



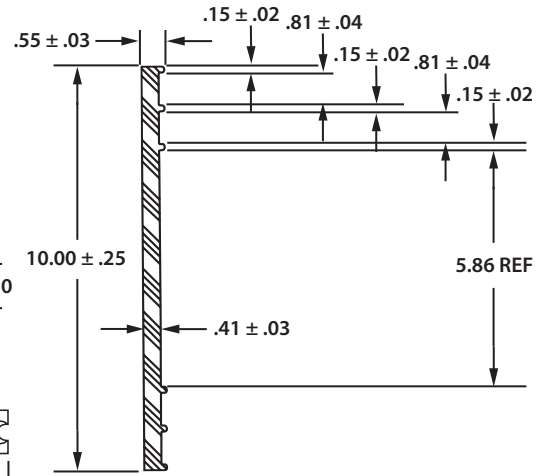
WORM DRIVE CLAMP DETAILS



T-BOLT CLAMP DETAILS



SEALING GASKET DETAILS



MISSION REFERENCE MR72 SERIES	SHIELD DIMENSIONS		SEALING GASKET DIMENSIONS	
	L	W	D	W
MR72 1818	71.63	5.75	21.33	10.00
MR72 2424	92.88	5.75	28.13	10.00
MR72 3030	116.13	5.75	35.53	10.00
MR72 3636	134.13	5.75	41.23	10.00
MR72 4242	156.38	5.75	48.33	10.00
MR72 4848	174.00	5.75	53.93	10.00
MR72 6060	213.75	5.75	66.60	10.00

TEST	GASKET PHYSICAL TESTS (ASTM C 425)	ASTM C 425
Tensile Strength	1000 PSI minimum	D412
Elongation	250% minimum	D412
Durometer (Shore A)	55 minimum 70 maximum	D2240
Accelerated Aging	85% of original tensile strength 85% of original elongation All determined after oven aging at 70°C for 7 days	D573
Compression Set	20% maximum of original deflection	D395
Ozone Cracking	No visible cracking at 2X magnification of the gasket after 24 hours exposure in 0.5 PPHM ozone concentrations at 40°C. Testing and inspection to be on gasket which is loop-mounted to give approximately 20% elongation of outer surface.	D1149
Water Absorption	5% maximum by weight after 7 days at 70°F	D471

Used to Join - MR72 Series Couplings are used to join ribbed/corrugated profile pipe.

Mission Rubber's Flex-Seal® Corrugated Coupling is a shielded storm water, sewer and drainage system coupling. The MR72 Series 18" to 60" coupling consists of a combination of 300 series stainless steel worm drive clamps with surgical grade 316 stainless steel T-Bolt clamps, attached to a heavy duty 301 series stainless steel shield, over an elastomeric sealing gasket.

Leak-Proof Seal - Increased band tension of the surgical grade 316 stainless steel T-Bolt clamps ensure a water-tight, leak-proof and root-proof seal that is resistant to both infiltration and exfiltration. Sealing "O" Rings are installed under each sealing clamp band to prevent pipe slippage and create a more positive seal.

Corrosion Resistant - Surgical grade 316 stainless steel T-Bolt clamps and 300 series stainless steel components provide outstanding protection in severe environments; such as marine applications, poorly aerated or moist soils, contaminated ground conditions (particularly industrial fill sites) and where the ground water contains chloride, sulfates or bicarbonates.

Superior Rigidity - .0315" thick 301 series stainless steel shield provides for superior load bearing control between the coupling and pipe surface. The coupling's rugged construction provides excellent sealing properties, and the stainless steel shield provides excellent resistance to shear forces and helps with alignment, while maintaining flexibility.

Withstands Tension and Compression - Synthetic rubbers permit a substantial degree of distortion without change in basic physical resistance, unlike other manufacturers' thermoplastic coupling materials. Molded synthetic rubber gasket is strong, durable and resilient to ultraviolet rays, ozone, fungus growth, natural erosive properties of soil and normal sewer gases. More pliable and easier to install in cold weather applications than an elastomeric PVC gasket.

Pre-Set Calibration - All Flex-Seal® MR72 Series Couplings are designed to be installed with a pre-set torque wrench calibrated to 60 in/lbs. maximum to accommodate the 300 series stainless steel 5/16" hex head screw.