



Mission Rubber Company LLC

1660 Leeson Lane
 Corona, CA 92879
 (800) 854-9991 · Fax (800) 637-4601
 missionrubber.com

"Test as you go"
 device for pressure testing
 in cast iron pipe systems

MISSION
 RUBBER COMPANY

MEETS:
 ASTM C 1540
 ASTM C 564
 ASTM A240/A240M



EZ-Test® Coupling - Submittal

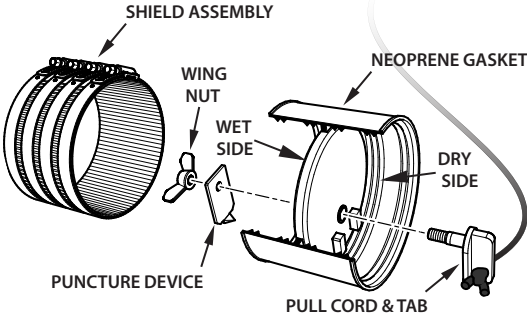
Performance Testing Device & Coupling for Hubless Cast Iron
 Pipe and Fittings

PROJECT _____

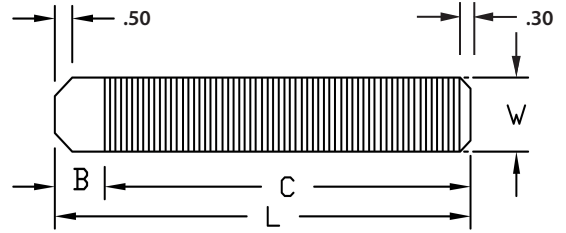
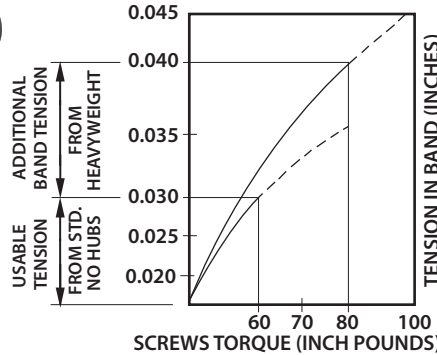
ENGINEER _____

CONTRACTOR _____

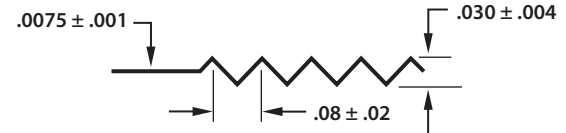
MATERIALS	
Band	Series 304 ASTM stainless steel
Screw Housing	Series 304 ASTM stainless steel
Screw Saddle	Series 304 ASTM stainless steel
Screw	Series 305 ASTM stainless steel
Shield	Series 304 ASTM stainless steel
Gasket	This gasket is fabricated from a compound with high-quality elastomeric properties to meet physical testing.



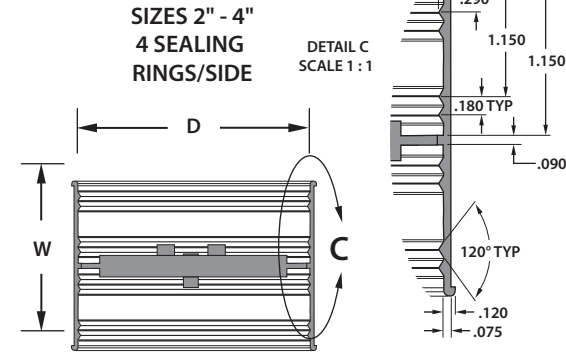
TYPICAL BAND TENSION VS. HW TORQUE
 (AISI 305 SCREWS)



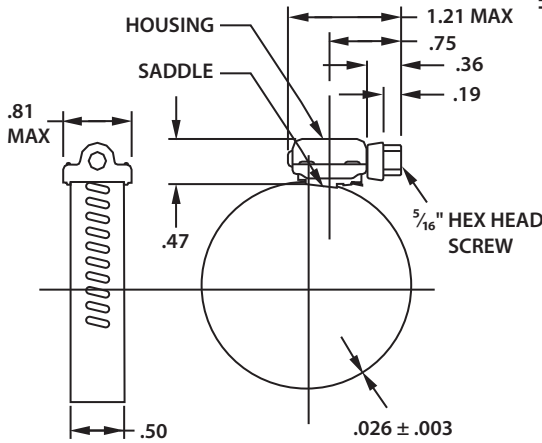
CORRUGATED SHIELD DETAILS



SEALING GASKET DETAILS



CLAMP DETAILS



MISSION REFERENCE	CORRUGATED SHIELD DIMENSIONS			
	B	C	L	W
2" - C200 EZ	0	9.313	9.313	3
3" - C300 EZ	0	12.563	12.563	3
4" - C400 EZ	0.875	15.063	15.938	3

SEALING GASKET DIMENSIONS	
D	W
2"	3
3"	3
4"	3

Mission's EZ-Test® Coupling is a plain end coupling designed as a "test as you go" device for pressure testing in cast iron pipe systems, leaving an installed heavy duty coupling after testing. Coupling consists of four (4) 304 series stainless steel heavy duty worm drive clamps attached to a heavy duty corrugated 304 series stainless steel shield, over a molded one-piece elastomeric sealing gasket manufactured with an integrated rubber diaphragm. Couplings are available in sizes 2" to 4". Prior to testing, pull cord kit is assembled onto EZ-Test® Coupling. The pull cord kit consists of a pull cord and tab, puncture device and wing nut.

Added Safety - Eliminates product liability concerns associated with the use of dangerous pneumatic test plugs. Flanged gasket helps maintain alignment during installation and tapered ends on shield reduce friction and prevent injury from sharp edges.

Leak-Proof Seal - Stainless steel clamps are 8% thicker than those of a standard no hub coupling, providing a positive seal when properly tightened to 80 in/lbs. of torque. Axially slotted clamps enable bands to tighten independently to accommodate variances in the outside diameters of the pipe and fittings to be joined. The internal profile of the elastomeric gasket ensures a uniform seal throughout the entire coupling, increasing performance in all cast iron DWV systems.

Corrosion Resistant - 304 series stainless steel components provide highly effective corrosion resistance in a variety of environments.

TEST	GASKET PHYSICAL TESTS (ASTM C 564)	ASTM C 564
Tensile Strength	1500 PSI minimum	D412
Elongation	250% minimum	D412
Durometer (Shore A)	70 ± 5 @ 76°F ± 5°F	D2240
Accelerated Aging	15% maximum tensile and 20% maximum elongation deterioration. 10 points maximum increase in hardness. All determinations after oven aging for 96 hours at 158°F.	D573
Compression Set	25% maximum after 22 hours at 158°F	D395
Oil Immersion	80% maximum volume change after immersion in ASTM oil #3 for 70 hours at 212°F	D471
Ozone Cracking	No visible cracking at 2X magnification of the gasket after 100 hours exposure in 1.0 PPHM ozone concentration at 104°F. Testing and inspection to be on gasket which is loop-mounted to give approximately 20% elongation of outer surface.	
Tear Resistance	Die C 150 lbs. minimum per inch of thickness	D624
Water Absorption	20% maximum by weight after 7 days at 158°F	D471

Extended Width - Greater surface load bearing contact of 304 stainless steel shield accommodates additional sealing clamps and provides for greater load bearing control between the coupling and surface of the pipe and fitting.

Saves Time and Money - Quick and easy to use (can test up to 3 floors at once). Requires no expensive testing equipment.

Versatile - Can test up to 3 floors at once. Can be used in a variety of testing applications (in-line testing, closet flanges, shower drains, roof drains, etc.)

Pre-Set Calibration - All EZ-Test® Couplings are designed to be installed with a pre-set torque wrench calibrated to 80 in/lbs. maximum to accommodate the 305 stainless steel 5/16" hex head/shoulder screw.